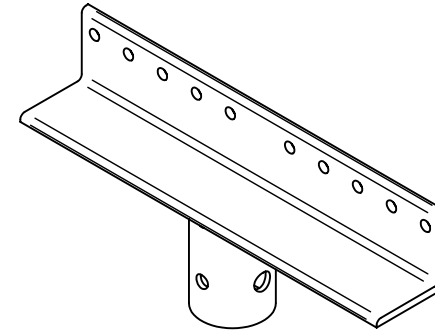
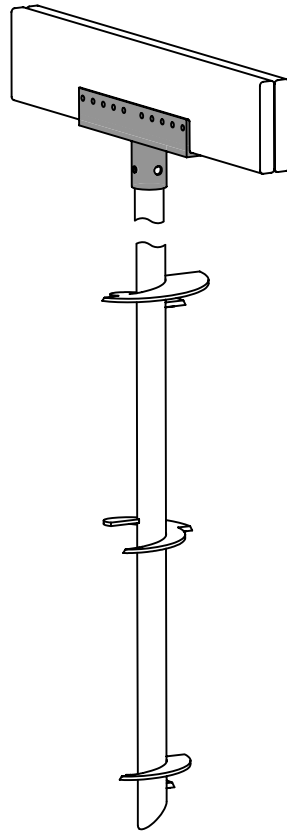




SD WOOD BEAM CAP

P/N: MHC1121

Application View



Note: All dimensions are in inches and shown for reference only. For product specific Engineering Drawings, please contact Magnum Piering Engineering Department.

Product Specifications

Material:

Angle to be ASTM A-36 or better.
 Tube to be ASTM A500 Grade C or better.

Product Weight: 20 lbs

Capacity:

See Magnum Steel Push Piering Technical Reference Manual for specific capacity information.

