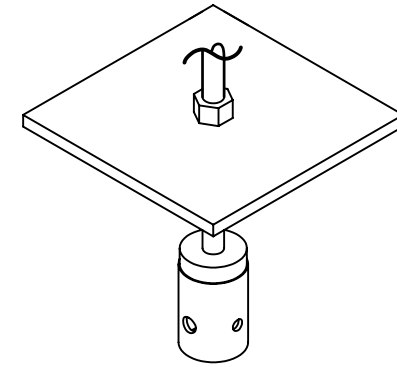
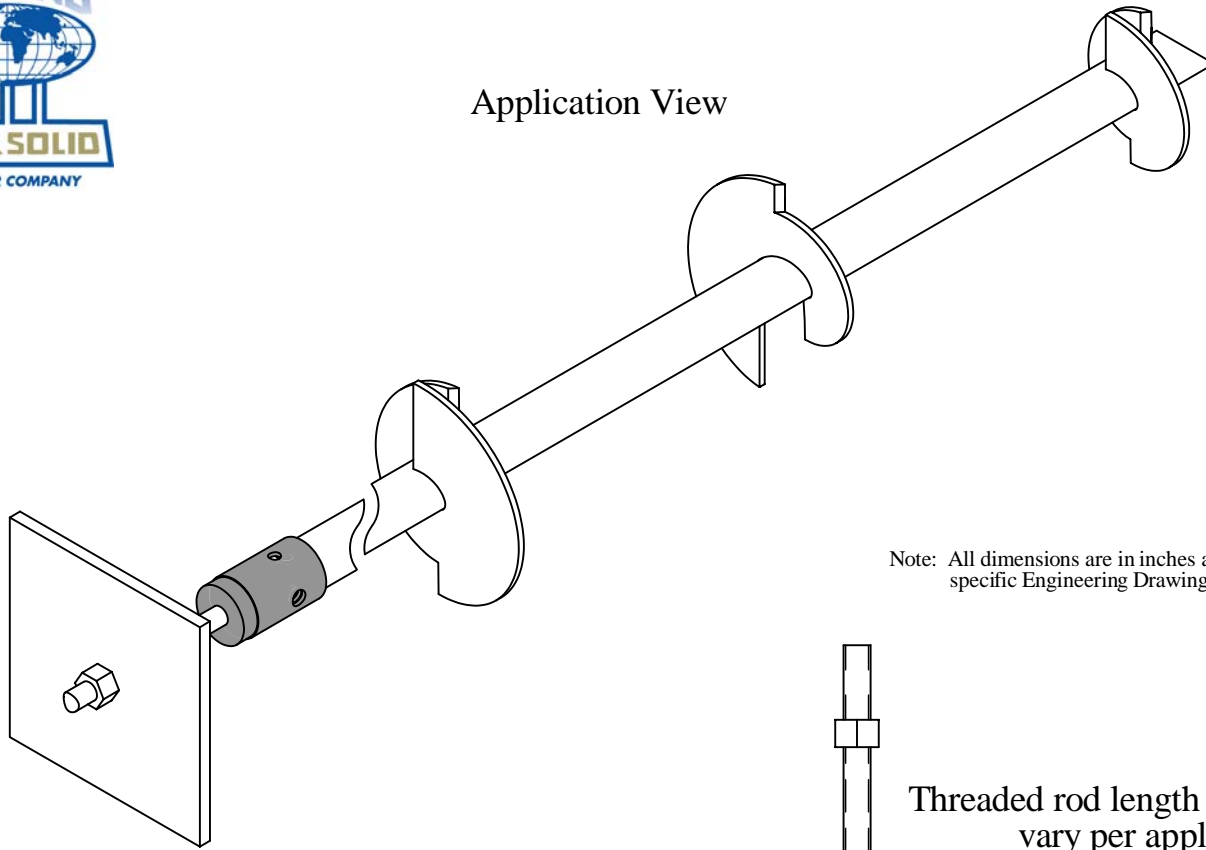




Tie Back Cap

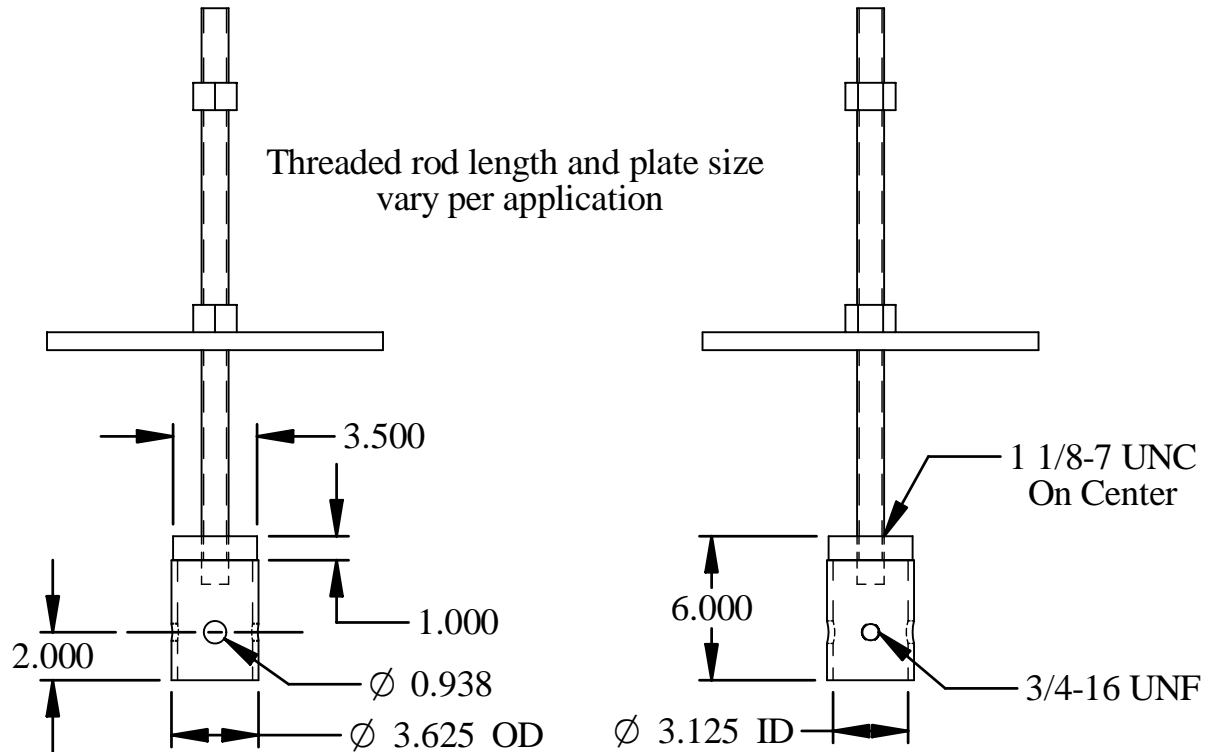
P/N: MHC1080

Application View



Note: All dimensions are in inches and shown for reference only. For product specific Engineering Drawings, please contact Magnum Piering Engineering Department.

Threaded rod length and plate size vary per application



Product Specifications

Material:

Plate to be ASTM A-36 or better.
 Tube to be ASTM A500 Grade C or better.

Product Weight: 6 lbs, Cap Only

Capacity:

See Magnum Steel Push Piering Technical Reference Manual for specific capacity information.