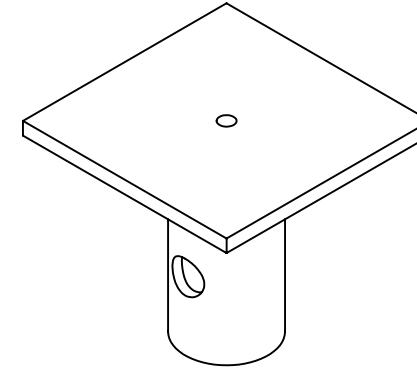
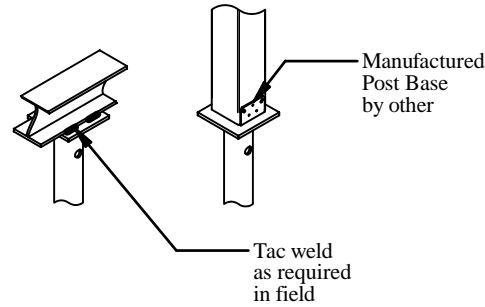
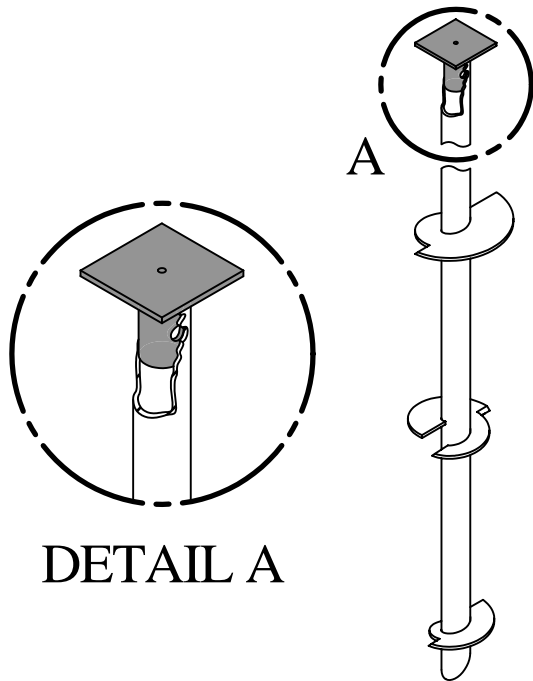




ID Connection Plate Cap

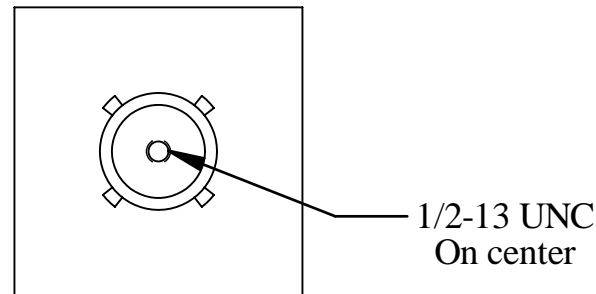
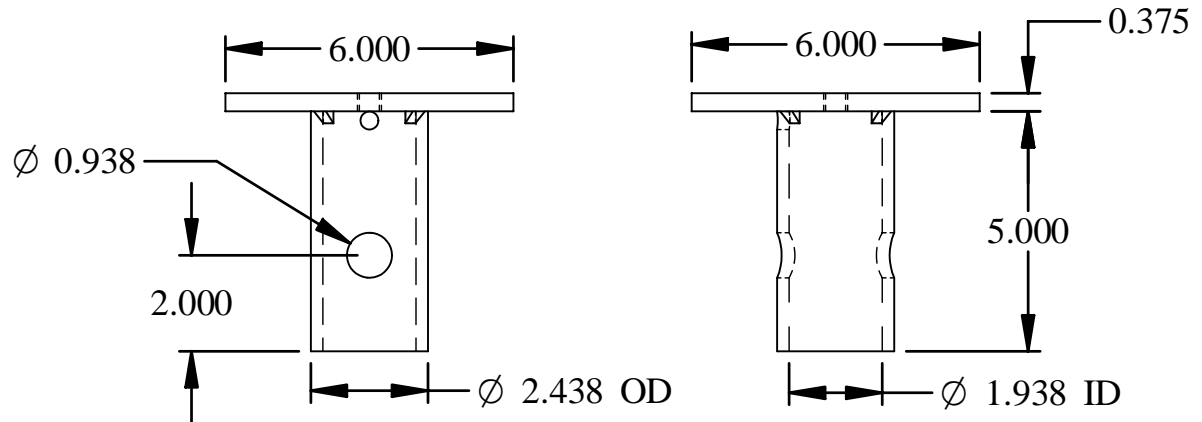
P/N: MHC1162

Application View



Note: All dimensions are in inches and shown for reference only. For product specific Engineering Drawings, please contact Magnum Piering Engineering Department.

DETAIL A



Product Specifications

Material:
 Plate to be ASTM A-36 or better.
 Tube to be ASTM A500 Grade C or better.

Product Weight: 6 lbs

Capacity:
 See Magnum Steel Push Piering Technical Reference Manual for specific capacity information.