

MAGNUM[®] MH431B Helical Piles

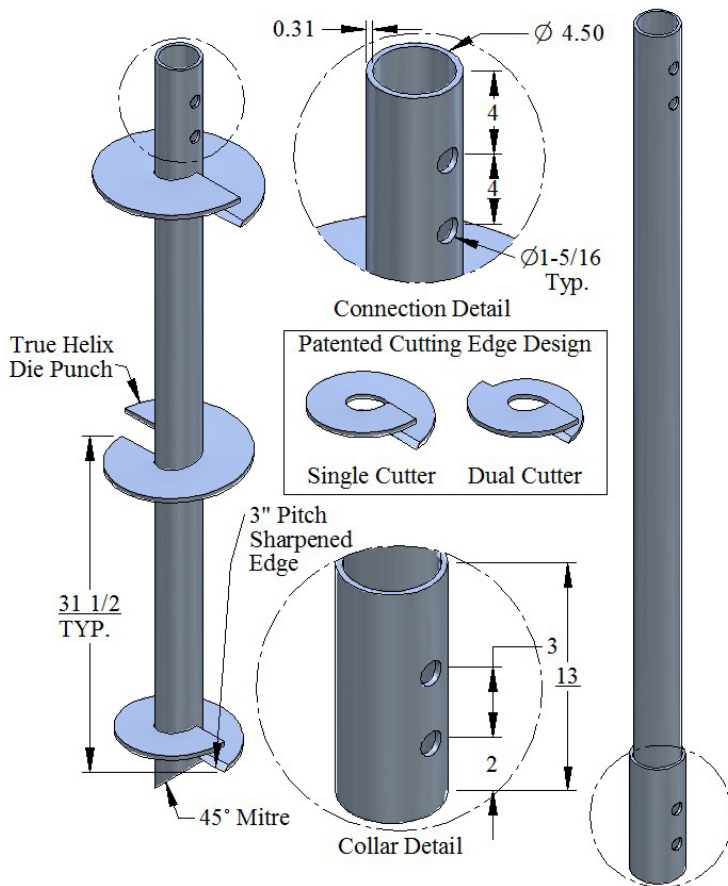
83 Ton Ultimate - 41 Ton Allowable Capacity

High-Strength 4.5" Diameter, 0.31" Wall, Round-Shaft with Rigid Coupler & (2) 1.25" Bolts



Description

Magnum MH431B Helical Piles have 83 tons ultimate capacity and 41 tons working capacity in compression and tension. Lead sections and extensions couple together to extend helical bearing plates to the desired bearing stratum. Round shafts offer increased lateral and buckling resistance compared to solid square shafts. Capacity calculations are based on average life expectancy of over 50 years for most soil conditions. Patented Magnum Dual-Cutting Edge helical bearing plates (DCE) enhance penetration through dense soils with occasional cobbles and debris. Custom lengths and helix configurations are available upon request. See Magnum Technical Reference Manual for additional information including design tools, prescriptive specifications and example plans.



Lead - MHL431B7B12S14S16SG

Extension - MHE431B7G

4.5" Product Line Helical Bearing Plate Specifications & Available Configurations

0.625" Thick; ASTM A36 or Higher
 3.00" Blade Pitch
 10", 12", 14", 16" Diameter
 Standard Circular Helix, or
 Patented Dual Cutting Edge Helix

Sharpened Edges - All Helix

- *5 ft. Lead or Extension - up to 2 helical bearing plates
- *7 ft. Lead or Extension - up to 3 helical bearing plates
- *10 ft. Lead or Extension - up to 4 helical bearing plates
- *15 ft. Lead or Extension - up to 6 helical bearing plates

* Standard Stocking Length

All Magnum Steel & Products Made in U.S.A.

STEEL SPECIFICATIONS	
SHAFT	HSS 4.50 x 0.31 wall ASTM A513 65 KSI, or Equivalent
I	8.85 in ⁴
Ag	4.02 in ²
S	3.94 in ³
COUPLING	0.31" Wall Collar
BOLTS	(2) 1.25" Diameter SAE Grade 5 / ASTM A325
BLADES	0.625" Thick, Helix Die-Pressed ASTM A36, or Better
COATING OPTIONS	Hot-Dip Galvanized (G), Bare Steel (NG), Epoxy Powder Coated (EP)
PROPERTIES	
5.7 ft ⁻¹	Ultimate Capacity-to-Torque Ratio
29,000 ft-lbs	Maximum Installation Torque
STRUCTURAL CAPACITY	
131 Tons	Ultimate Capacity
65 Tons	Allowable Capacity
BY TORQUE - COMPRESSION & TENSION	
83 Tons	Ultimate Compression & Tension
41 Tons	Allowable Compression & Tension

Note: Helical piles shall be installed to appropriate depth into suitable bearing stratum as determined by geotechnical engineer or local practice. Capacity by torque is based on advancing pile to maximum installation torque. A minimum factor of safety of 2.0 is recommended for determining allowable capacity from correlations with final installation torque. Deflections of 0.05" to 1.0" are typical at allowable capacity. A higher factor of safety may be required for tolerable deflections. For tension capacity, helical bearing plates must be deeply embedded. Load tests are recommended when practical.

Magnum Piering, Inc.

6082 Schumacher Park Dr.
 West Chester, OH 45069
 800-822-7437
 www.magnumpiering.com

© Copyright 2009-10 Magnum Piering, Inc. All Rights Reserved.
 U.S. Patents 6,058,662 and 5,234,287; Other Patents Pending.