

MAGNUM[®] MHC1161-3 6x6 Post Cap

Allowable Capacity 16 Tons Compression / 16 Tons Tension

3-Inch I.D. Collar with 3" Tall 5.625"x5.625"x1/4" Post Base

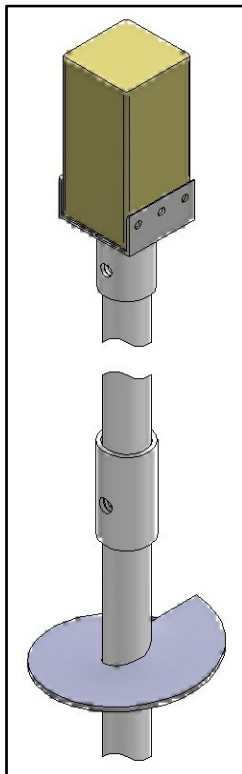
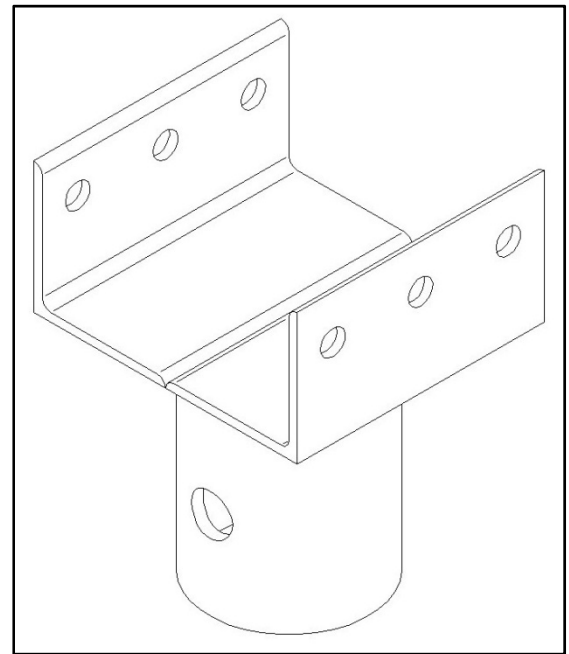
Fits MH313, MH313R, MH325, MH325R Magnum[®] Helical Piles



Description

Magnum MHC1161-3 6x6 post cap has 32 tons ultimate capacity, 16 tons working capacity in compression and tension. The 6x6 post cap consists of a collar tube with bolt hole for connection to Magnum helical piles and 5.625"x5.625" post base for attachment to a 6x6 dimensioned wood post. The 6x6 post cap is designed in accordance with ICC-ES document AC358 as well as IBC, ACI, and AISC codes. Application of the cap varies by project and is the responsibility of registered design professional including crushing strength, lateral bracing, and buckling of wood post.

SPECIFICATIONS	
Collar Tube	0.3 in. x 3 in. I.D. ASTM A513 GR65+
End Effector	3" tall 5.625"x5.625"x1/4" Post Base with holes for (6) 1/2" Lags
Pile Connection	(1) 7/8" SAE Grade 5 / ASTM A325 Bolt
Surface Coating	Galvanized per ASTM A153/A123 (G), Bare Steel (NG), or Epoxy Coated per ICC-ES AC228 (EP)
Compatibility	MH313, MH313R, MH325, and MH325R
CAP CAPACITY	
Ultimate Compression / Tension	32 Tons / 32 Tons
Allowable Compression / Tension	16 Tons / 16 Tons



Installation Notes:

After installation of a Magnum Helical Pile to the correct depth, torque, and capacity, cut-off the pile shaft at the proper elevation. Drill 15/16" hole using Magnum drill template. Place the pile cap over the shaft and secure with 7/8" bolt. Snug tighten nut. Place wood post on post base and secure with 1/2" lag screws as required for the project.

All Magnum Steel & Products Made in U.S.A.

Magnum Piering, Inc.

6082 Schumacher Park Dr.
West Chester, OH 45069
800-822-7437
www.magnumpiering.com

© Copyright 2010 Magnum Piering, Inc. All Rights Reserved.
U.S. Patents 6,058,662 and 5,234,287; Other Patents Pending.